

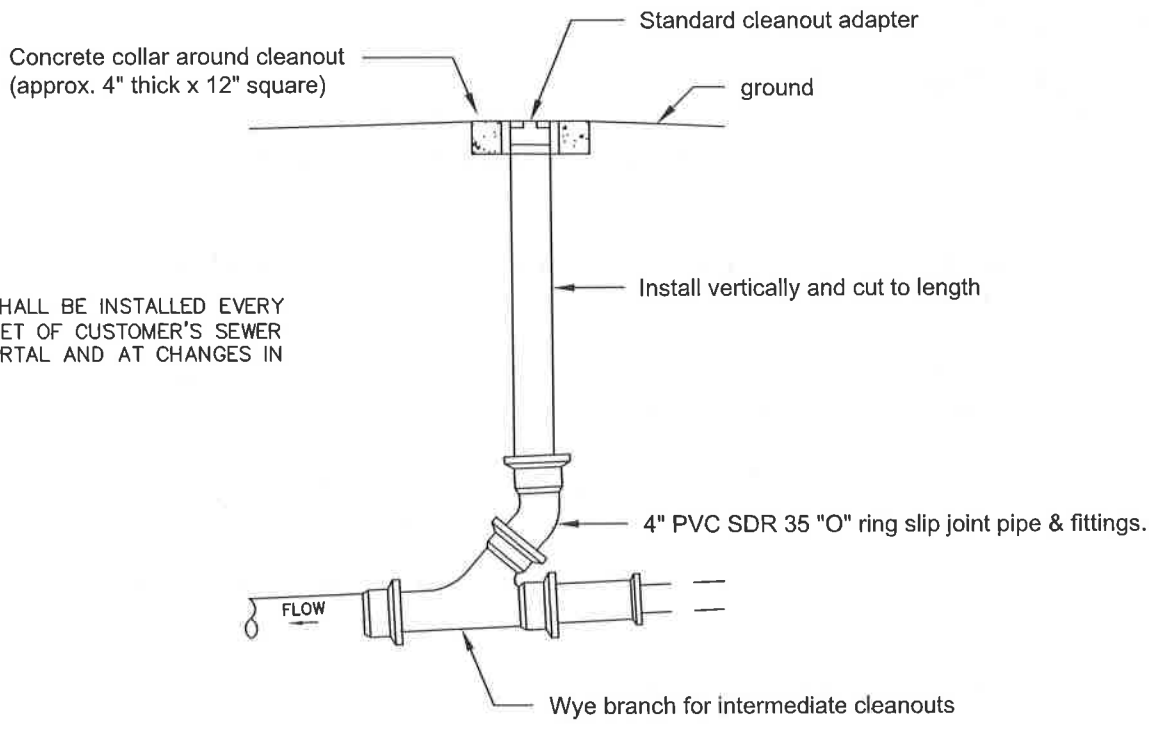


**ERWIN UTILITIES
WASTEWATER DEPARTMENT**

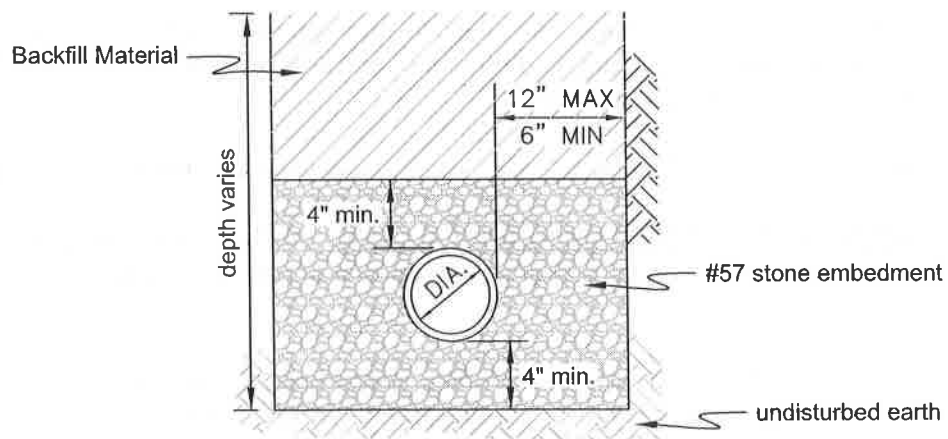
INSTRUCTIONS FOR INSTALLATION OF SEWER SERVICE LINES

1. Applicant for sewer service must first make application, pay tapping fee and/or inspection fee in person at the office of Erwin Utilities.
2. Schedule a pre-construction visit with your contractor and Erwin Utilities' Engineering Department **prior** to installation of your sewer service line.
3. Sewer tap must be installed by Erwin Utilities before any portion of the sewer service line is installed.
4. **GLUE JOINT PIPE CANNOT BE USED.**
5. Materials that can be used are as follows:
 - A. The sewer service line shall be constructed of four (4) inch PVC SDR 35 "O" ring slip joint pipe and shall be properly bedded per the attached drawing.
 - B. All fittings (bends, wyes, and tees) shall be constructed of PVC SDR 35 "O" ring slip joint fittings.
6. A four (4) inch cleanout must be installed approximately five (5) feet from the building at each bend (change of direction) and at no distance greater than 75 feet apart. (See attached drawing.)
7. Separate sewer service line and any water line at least ten (10) feet horizontally.
8. **DO NOT COVER SEWER SERVICE LINE.** Ditch must be left open for inspection by Erwin Utilities before any portion of the pipe is covered.

For pre-construction scheduling, inspections, or questions,
call our Engineering Department at 743-1844.



TYPICAL CLEANOUT INSTALLATION



TYPICAL SEWER SERVICE LINE TRENCHING DETAIL